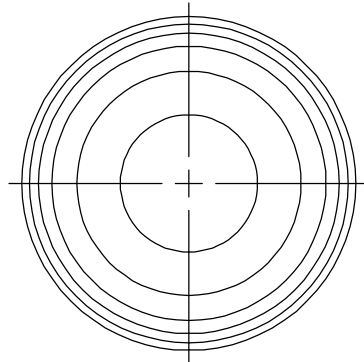
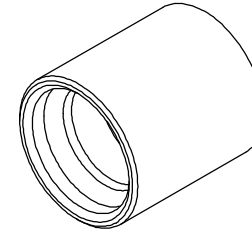


CATALOG NUMBER

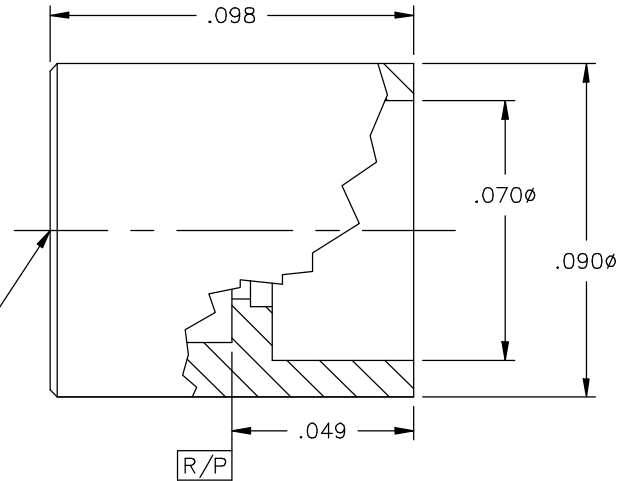
R012-T95-01

MATERIAL AND FINISH

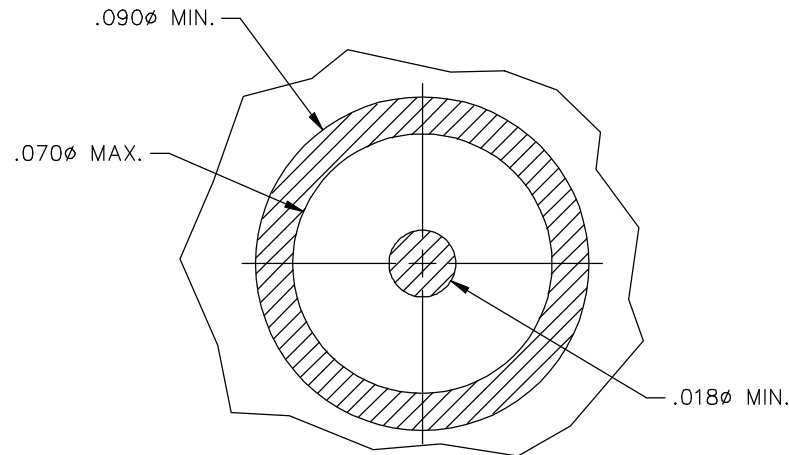
SHROUD: IRON-NICKEL-COBALT SEALING ALLOY
(KOVAR) PER ASTM F 15



G3PO SMOOTH BORE
INTERFACE



RECOMMENDED MOUNTING PATTERN



NOTES:

1. RECOMMENDED FOR USE WITH CATALOG NO. Y071-L02-02.

This drawing and any data contained herein is the property of Corning Gilbert Inc., and constitutes and contains proprietary and confidential information. Neither receipt nor possession of this drawing confers or transfers any right to duplicate, use or disclose any information contained herein except as expressly authorized by Corning Gilbert Inc.

G3PO SMOOTH BORE
SOLDER ATTACH
SHROUD

IDENT CODE:
82316

REVISION: A

Corning Gilbert Inc.

SOURCE FILE: SK-4093

DWG. NO.: OL-R012-T95-01

ASSY. PROC.: -